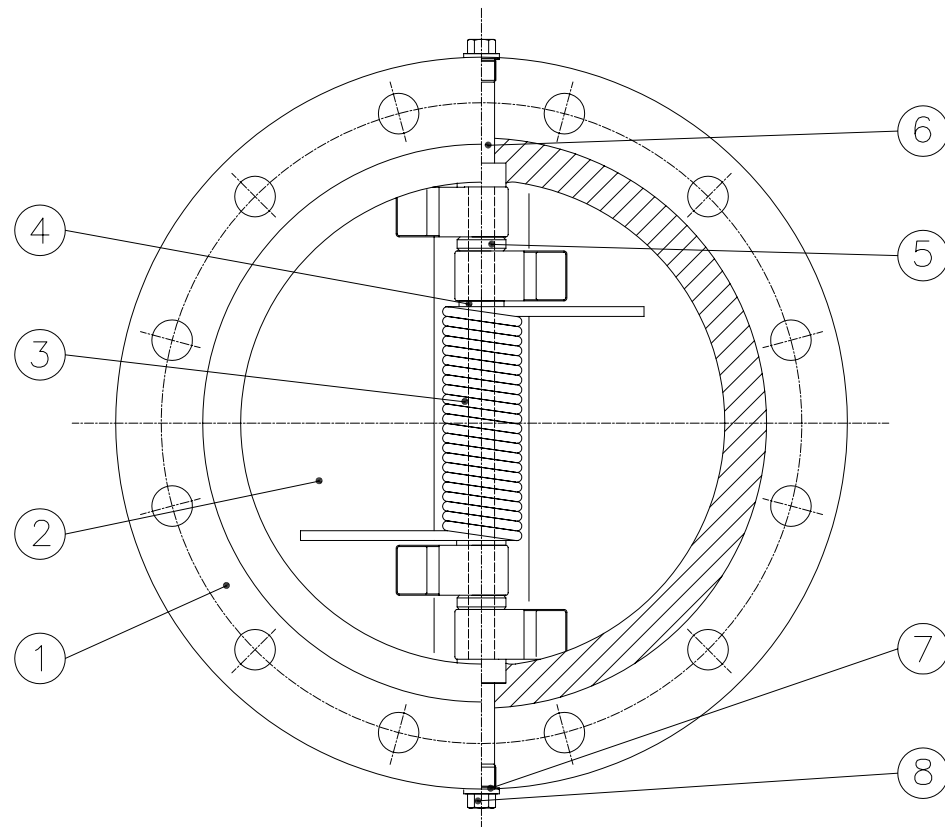
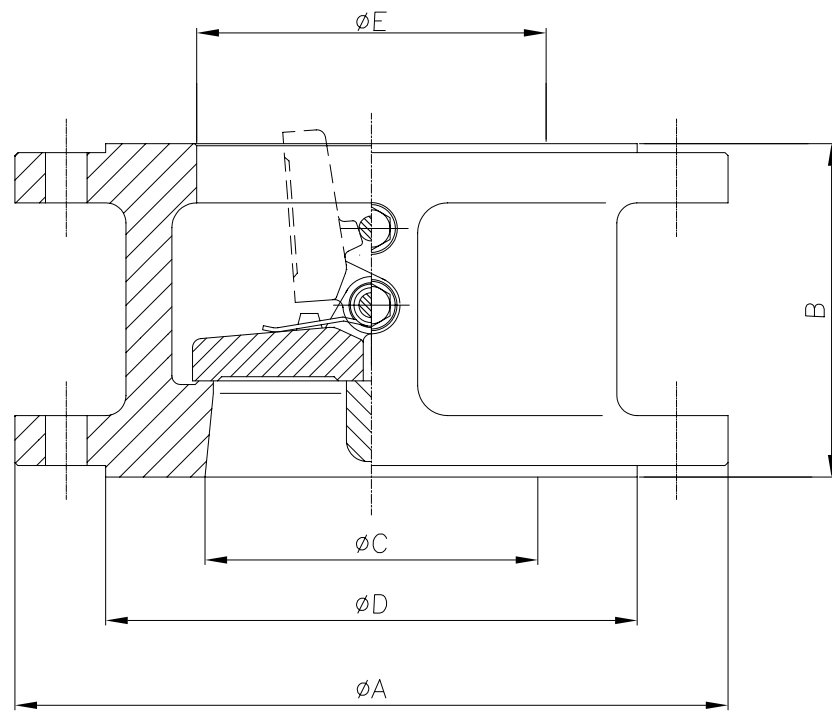


PRESSURE & TEMPERATURE TO ANSI B16.34; MATERIALS TO NACE MR-01-75 Latest Edition; HINGE/STOP PINS MUST BE VERTICAL FOR HORIZONTAL FLOW; LIFTING BOLTS SUPPLIED FOR VALVES 6" AND LARGER



|     |              |                |              |       |
|-----|--------------|----------------|--------------|-------|
| 8   | STOP PIN     | A182 F316      |              |       |
| 7   | GASKET       | A182 F316      |              |       |
| 6   | HINGE PIN    | A182 F316      |              |       |
| 5   | BEARING      | A182 F316      |              |       |
| 4   | SPRING PLATE | A182 F316      |              |       |
| 3   | SPRING       | INCONEL X750   |              |       |
| 2   | DISC         | ASTM A351 CF8M |              |       |
| 1   | BODY         | ASTM A351 CF8M | ASTM 216 WCB |       |
|     | BODY SEAT    | AS BODY        |              | 1     |
|     | PLATE SEAT   | AS PLATE       |              | 2     |
| NO. | Name         | Material       |              | Notes |

| NOTES |   |
|-------|---|
| 1.    | Body Seat Overlay available - AISI 316 or Stellite 6  |
| 2.    | Plate Seat Overlay available - AISI 316 or Stellite 6 |
| 3.    |   |

| Size<br>Inches | Dimensions (mm) |     |     |   |     | Hole<br>size | Number<br>of Bolts |
|----------------|-----------------|-----|-----|---|-----|--------------|--------------------|
|                | A               | B   | C   | D | E   |              |                    |
| 8"             | 470             | 206 | 130 | - | 207 | 38.1         | 12                 |
| 10"            | 546             | 241 | 195 | - | 260 | 38.1         | 16                 |
| 12"            | 610             | 292 | 206 | - | 300 | 38.1         | 20                 |
| 14"            | 641             | 356 | 0   | - | 339 | 41.1         | 20                 |
| 16"            | 705             | 384 | 162 | - | 387 | 44.5         | 20                 |
| 18"            | 787             | 451 | 244 | - | 438 | 50.8         | 20                 |
| 20"            | 857             | 451 | 406 | - | 487 | 53.8         | 20                 |
| 24"            | 1041            | 495 | 445 | - | 579 | 66.5         | 20                 |

ENGINEERING DATA

|                         |            |                |        |      |
|-------------------------|------------|----------------|--------|------|
| DESIGN CODE             | API 594    | TEST PRESSURES |        |      |
| FACE TO FACE DIMENSIONS | API 594    | BODY           | 229.8  | Barg |
| ENDS FLANGES DIMENSIONS | ASME B16.5 | SEAT           | 168.52 | Barg |
| TESTING CODE            | API 598    |                |        |      |

| REV | DATE | DESCRIPTION | BY | CHK | APP | SCALE:   |     |      |
|-----|------|-------------|----|-----|-----|----------|-----|------|
|     |      |             |    |     |     | DRAWN    | DM  | DATE |
|     |      |             |    |     |     | CHECKED  | SMN | DATE |
|     |      |             |    |     |     | APPROVED | AW  | DATE |

DRAWING TITLE:  
API 594 CAST STEEL CLASS 900  
DOUBLE-FLANGED WAFER, RF, CHECK VALVES

CLIENT: -

VENDOR PO REF: -

EVC REF: -

|          |                 |        |          |
|----------|-----------------|--------|----------|
| CAD. No. | DRAWING NUMBER: | 120041 | REV      |
| AREA No. | FACILITY        | TYPE   | SEQ. No. |
| SHT. No. |                 |        | 01       |